

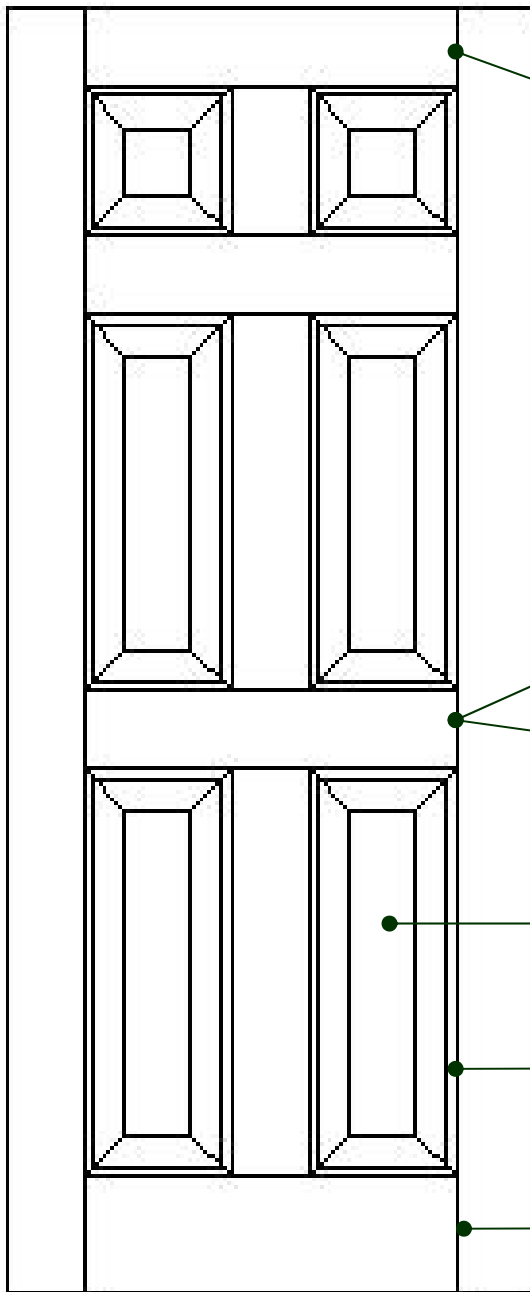


MENUISERIE DES PINS LTÉE

Technical detail

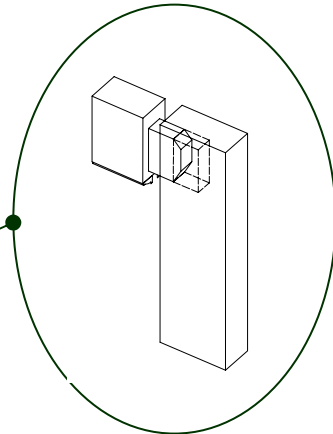
MODEL # 1204

1 3/8" solid wood laminated



Laminated solid wood door 1 3/8" (35.0 mm) thick. Available in various species. (Option: jointed pine)

Top rail 1 3/8" x 4 9/16" (35.0 mm x 115.9 mm) mortise and tenon assembly.



Ties and doors 1 3/8" x 4 9/16" (35.0 mm x 115.9 mm) laminated and assembled mortise and tenon.

Laminated panels 3/4" (19.0 mm) thick and profiles.

Molding casement window and integrated beams of the door.

Bottom rail 1 3/8" x 7 1/2" (35.0 mm x 190.5 mm) mortise and tenon assembly.

USINE ET SIÈGE SOCIAL

3150, Chemin Royal, Notre-Dame des Pins
Beauce (Québec) G0M 1K0
Tél. : (418) 774-3324 · Fax : (418) 774-5530
Site web : www.mdpins.qc.ca

SUCCURSALE LONGUEUIL

961, boulevard Guimond
Longueuil (Québec) J4G 2M7
Tél. : (450) 677-5211 · 1 (800) 361-5211
Fax : (450) 677-3946