

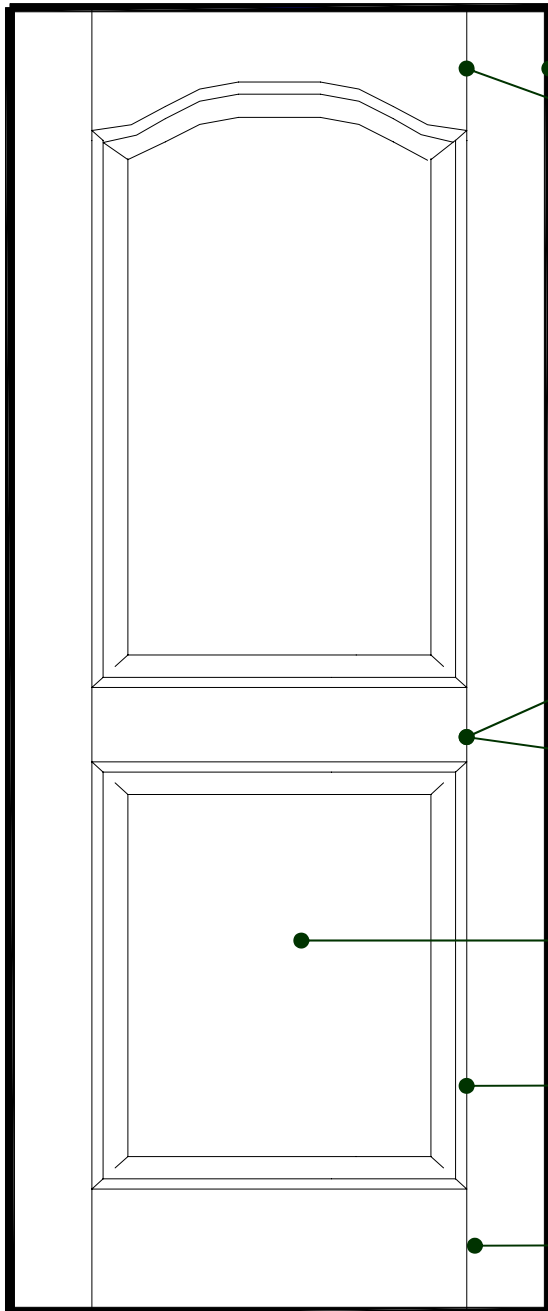


MENUISERIE DES PINS LTÉE

# Technical detail

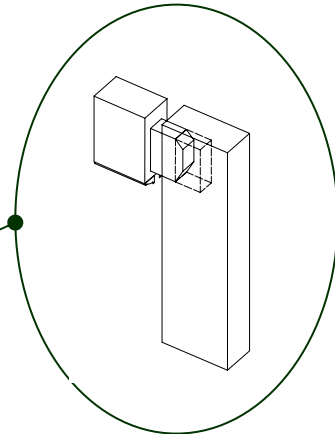
**MODEL # 1202S**

**1 3/8" solid wood laminated**



Laminated solid wood door 1 3/8" (35.0 mm) thick. Available in various species. (Option: jointed pine)

Top rail 1 3/8" x 4 9/16" (35.0 mm x 115.9 mm) mortise and tenon assembly.



Ties and doors 1 3/8" x 4 9/16" (35.0 mm x 115.9 mm) laminated and assembled mortise and tenon.

Laminated panels 3/4" (19.0 mm) thick and profiles.

Molding window casement and integrated beams of the door.

Bottom rail 1 3/8" x 7 1/2" (35.0 mm x 190.5 mm) mortise and tenon assembly.

## USINE ET SIÈGE SOCIAL

3150, Chemin Royal, Notre-Dame des Pins  
Beauce (Québec) G0M 1K0  
Tél. : (418) 774-3324 · Fax : (418) 774-5530  
Site web : [www.mdpins.qc.ca](http://www.mdpins.qc.ca)

## SUCCURSALE LONGUEUIL

961, boulevard Guimond  
Longueuil (Québec) J4G 2M7  
Tél. : (450) 677-5211 · 1 (800) 361-5211  
Fax : (450) 677-3946